

## RFSA-61B - 16A Multifunction Switching Receiver



- The switching receiver is suitable for the control of devices such as, lights, , garage doors, socket-outlets etc.
- 6 functions of operation are available: push-button, close, open, impulse relay, delayed off, delayed on
- The programming is performed by using the button 'PROG' which also acts as a manual override
- The switching receiver can be controlled by up to 32 transmitters, like the RF Touch and smart switch transmitters
- The status of the device is signalled by an LED on the front panel
- Can be mounted inside a 35mm deep box or behind light fittings

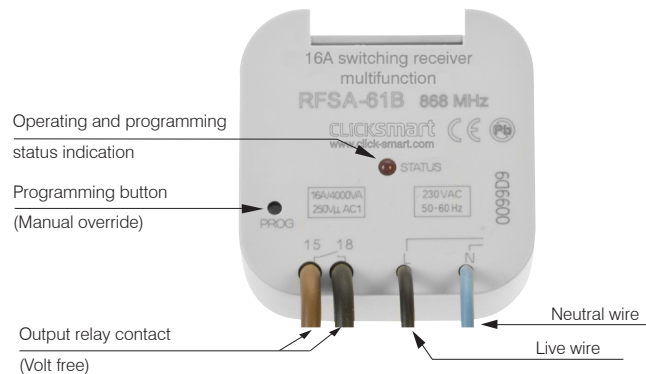
### Technical Details

Supply voltage:	230V AC
Input:	7 VA / cos $\phi$ = 0.1
Loss consumption:	0.7 W
Tolerance of supply voltage:	+10 %; -15 %
<b>Output</b>	
Number of contacts:	1x NO/ SPDT (AgSnO <sub>2</sub> )
Rated current:	16 A / AC1
Switched output:	4000 VA / AC1, 384 W / DC
Peak current:	30 A / <3 s
Switched voltage:	250 V AC1 / 24 V DC
Min. switched output DC:	500 mW
Mechanical life:	3x10 <sup>7</sup>
Electrical life (AC1):	0.7x10 <sup>5</sup>
<b>Control</b>	
Packet from transmitter:	868 MHz
Emergency control:	PROG (ON/OFF)
Range in open space:	up to 200M
<b>Other data</b>	
Operational temperature:	-15 °C to +55 °C (5 °F to 131 °F)
Operational position:	any
Mounting:	loose on input wires or 35mm deep back box
Protection degree:	IP 30
Overvoltage category:	III.
Pollution level:	2
Output wires:	2x 0.75 mm, 2x 2.5 mm <sup>2</sup>
Output wire length:	90 mm (3.5")
Dimensions:	49 x 49 x 21 mm
Weight:	46g
Applying standards:	EN 60669, EN 300 220, EN 301 489 Directive RTTE, NV No.426/2000Sb(Directive 1999/ES)
Warranty	12 Months

### Programmable Functions

Function 1	Function 2
Press the programmed button to 'close' the contacts (switch ON) and release the button to 'open' the contacts (switch OFF)	Press the programmed button to 'close' the contacts (switch ON)
Function 3	Function 4
Press the programmed button to 'open' the contacts (switch OFF)	Press and release the programmed button to 'close' the contacts (switch ON) and press and release the button again to 'open' the contacts (switch OFF)
Function 5	Function 6
Press the programmed button to 'close' the contacts (switch ON), the contacts will 'open' (switch OFF) after a determined interval (2 sec- 30 min)	Press the programmed button and after a determined interval (2 sec- 30 min) the contacts will 'close' (switch ON)

### Device description



### Connection

